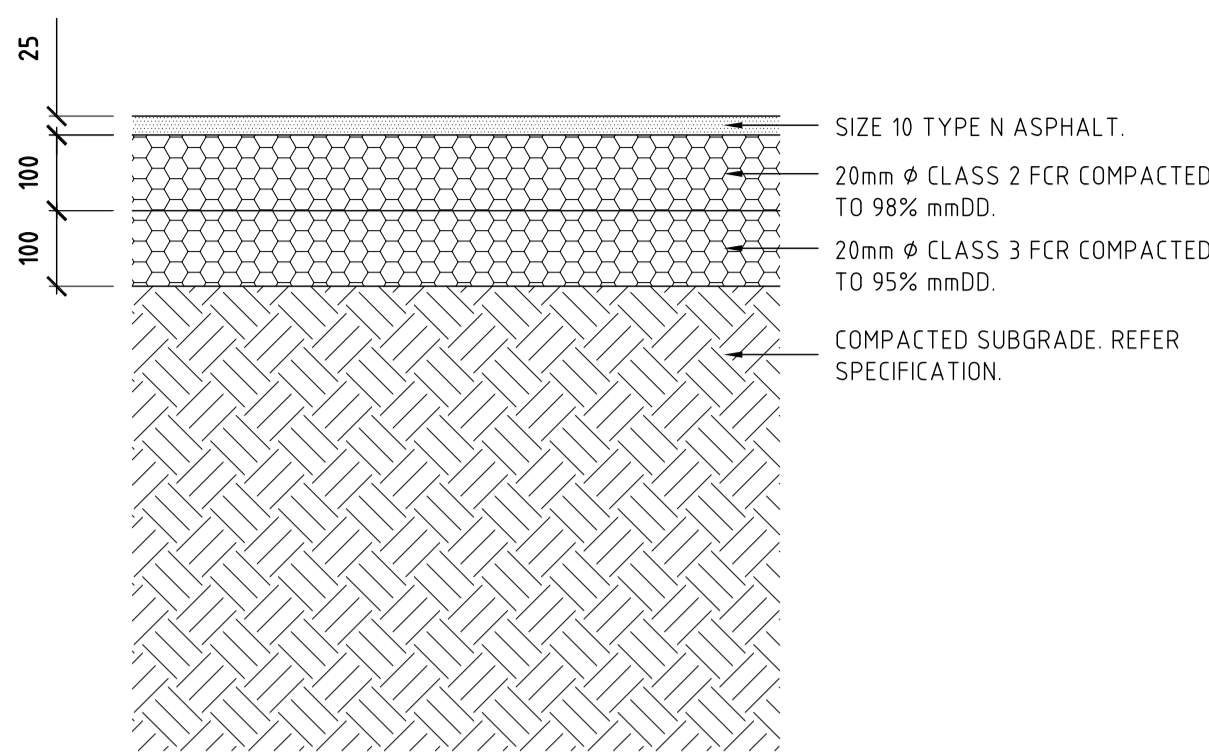
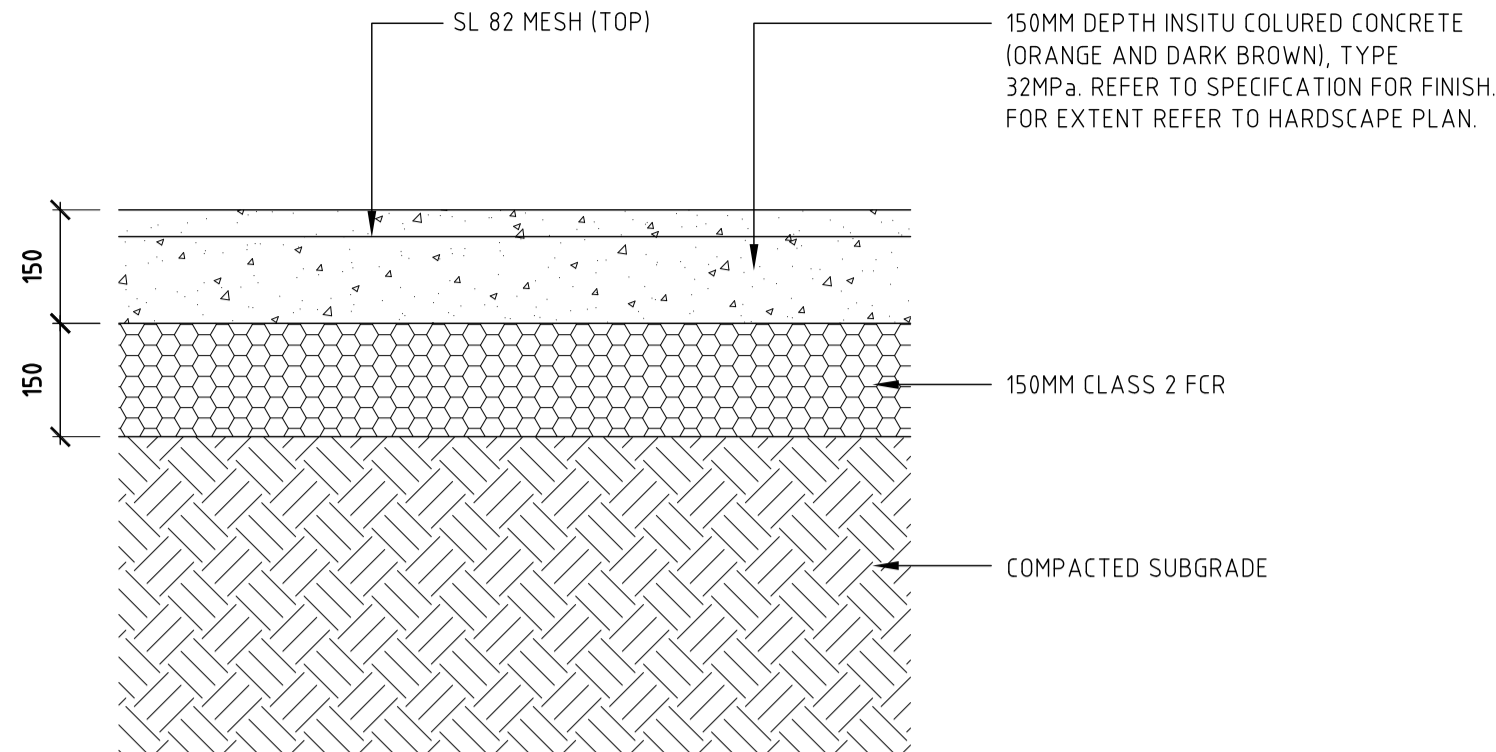


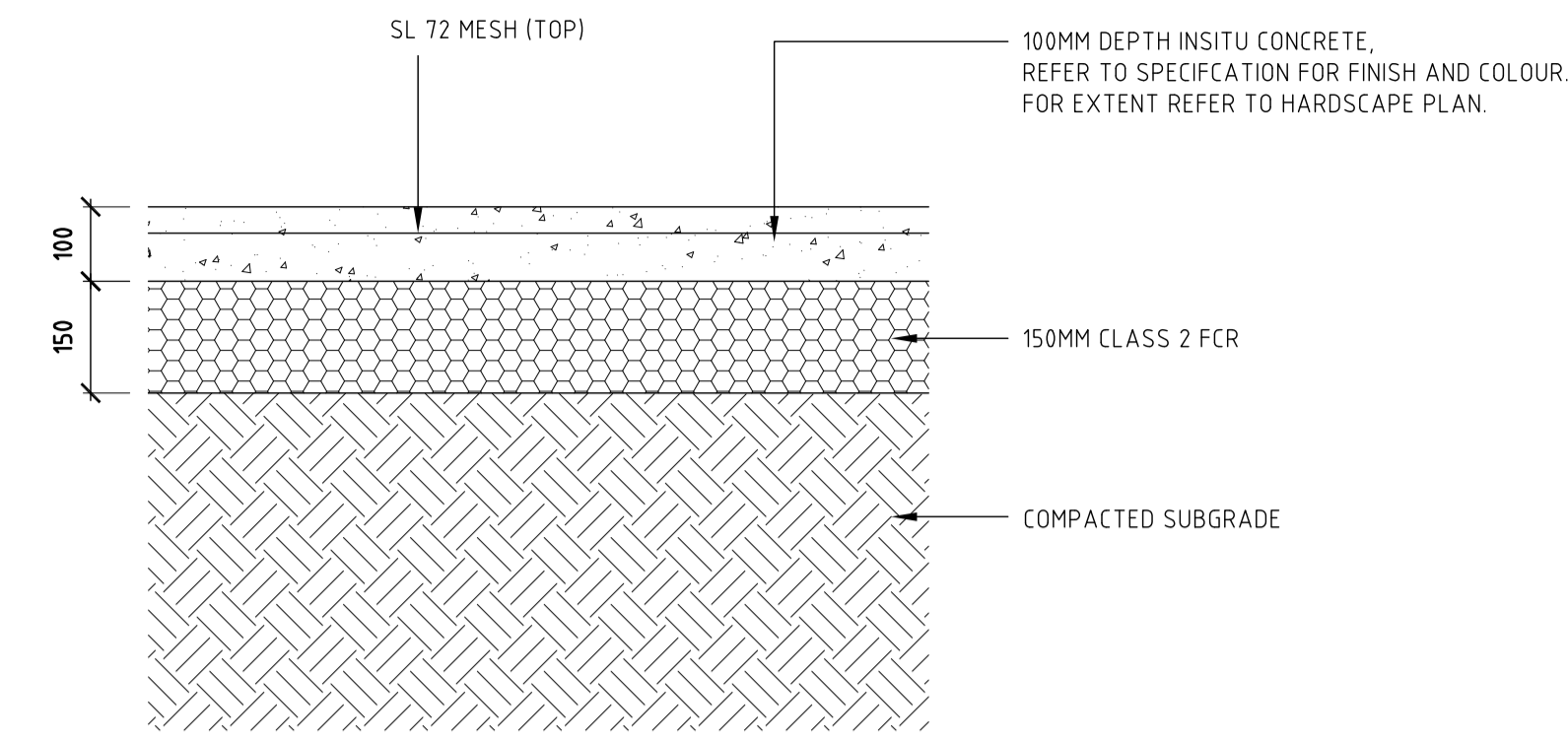
01 TYPICAL ASPHALT - VEHICULAR
Scale: 1:10



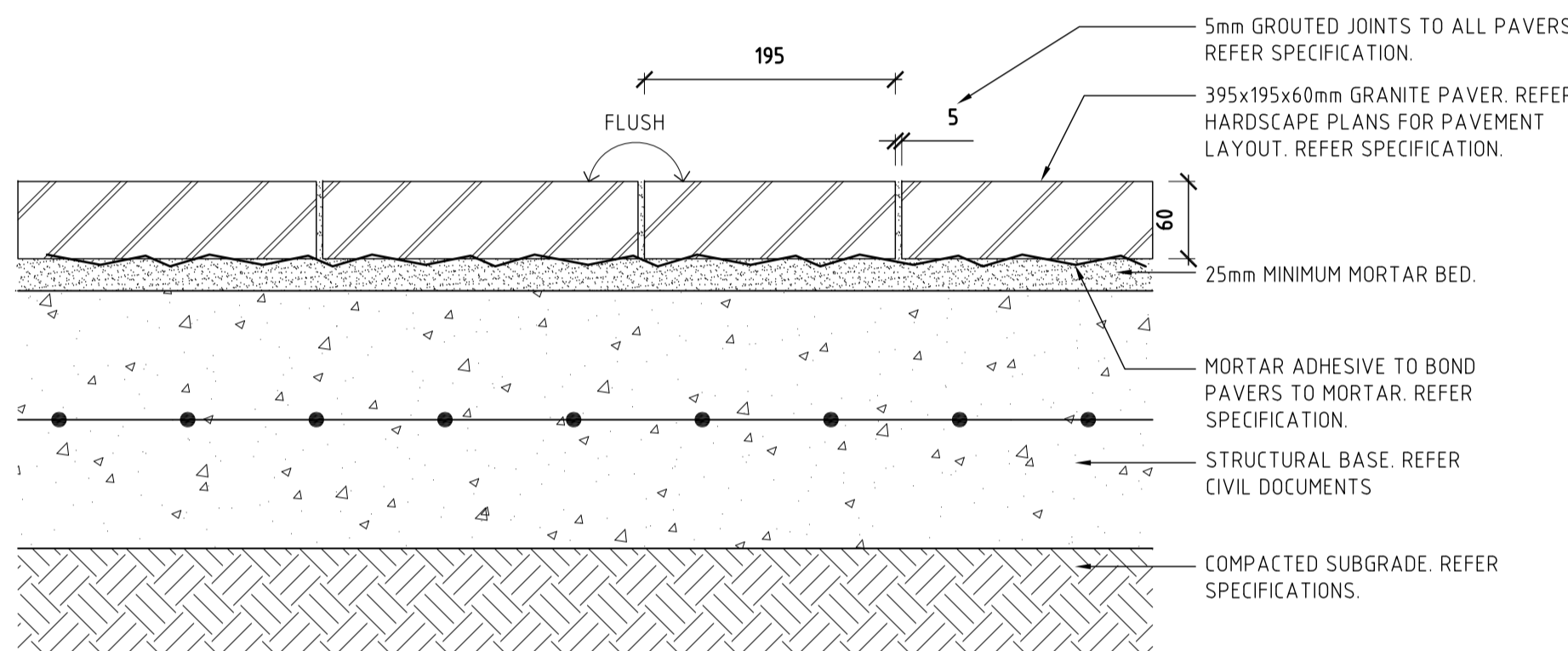
02 TYPICAL ASPHALT - PEDESTRIAN
Scale: 1:10



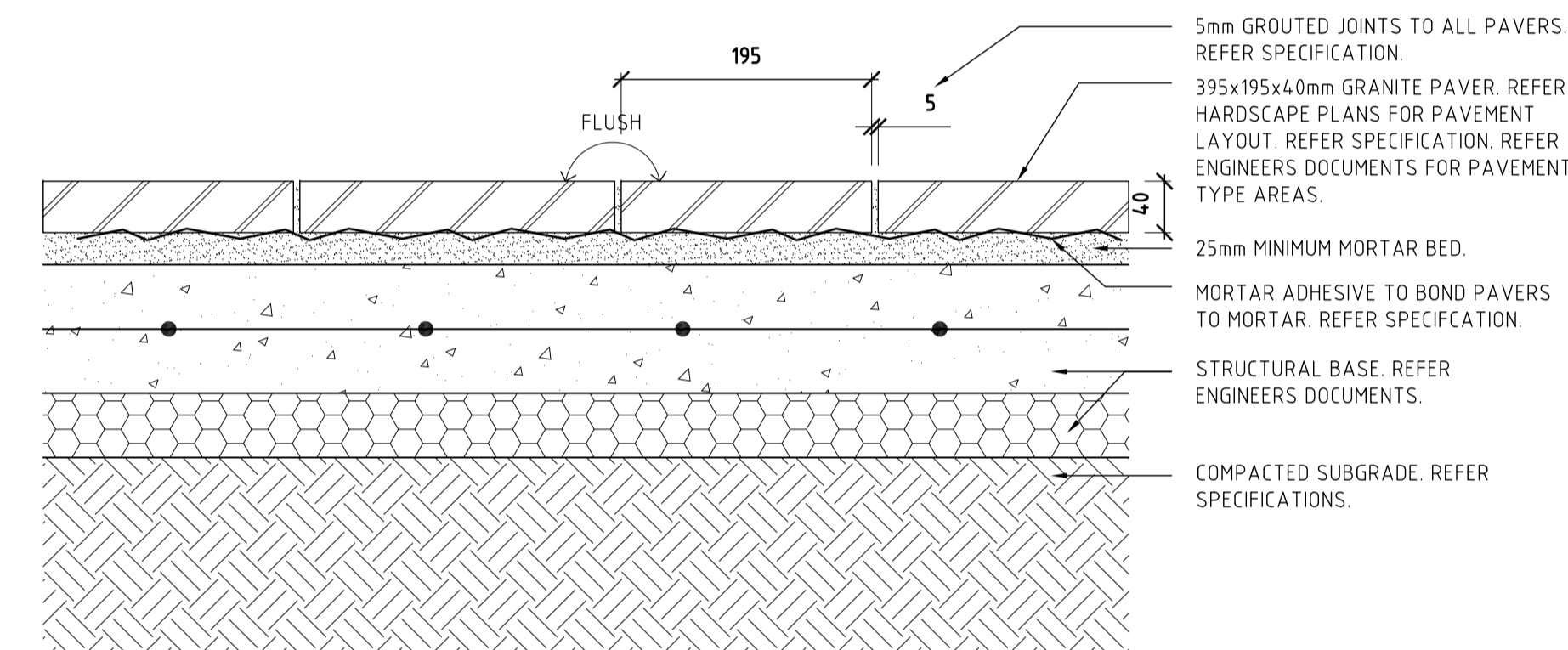
03 TYPICAL CONCRETE PAVING - VEHICLE
Scale: 1:10



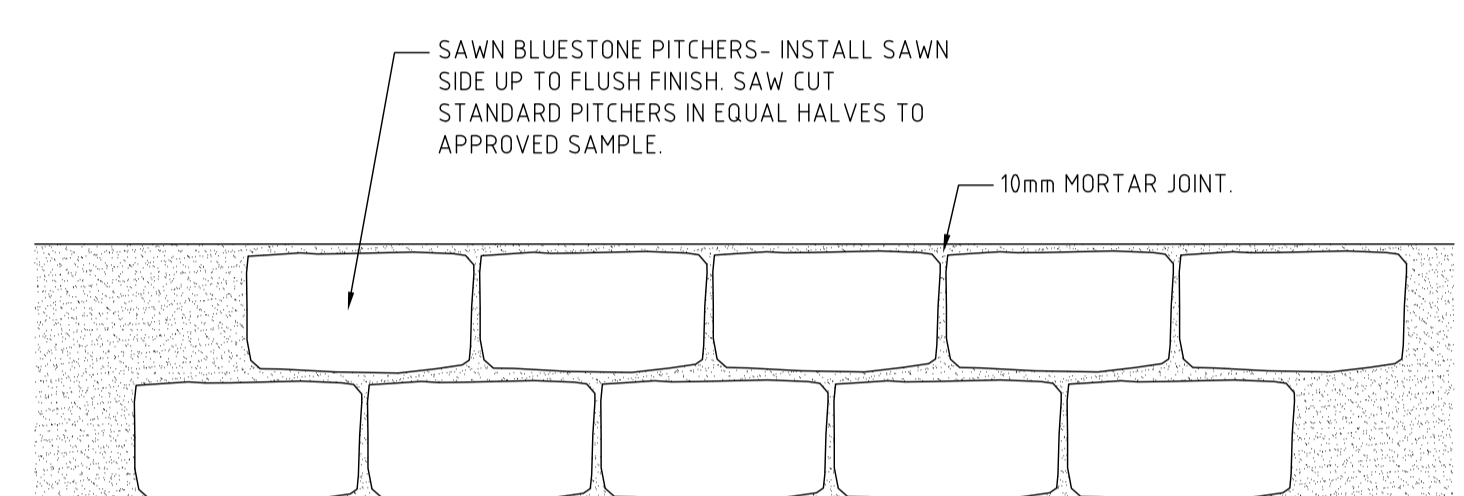
04 TYPICAL CONCRETE PAVING - PEDESTRIAN
Scale: 1:10



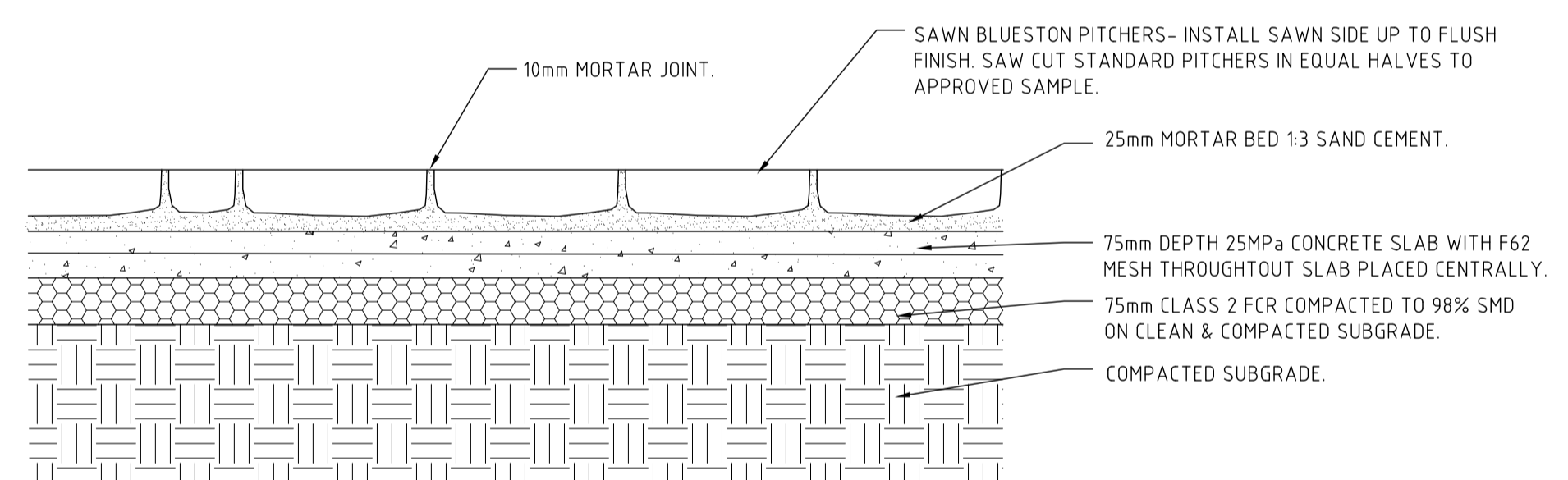
05 STONE PAVING - VEHICLE GRADE
Scale: 1:5



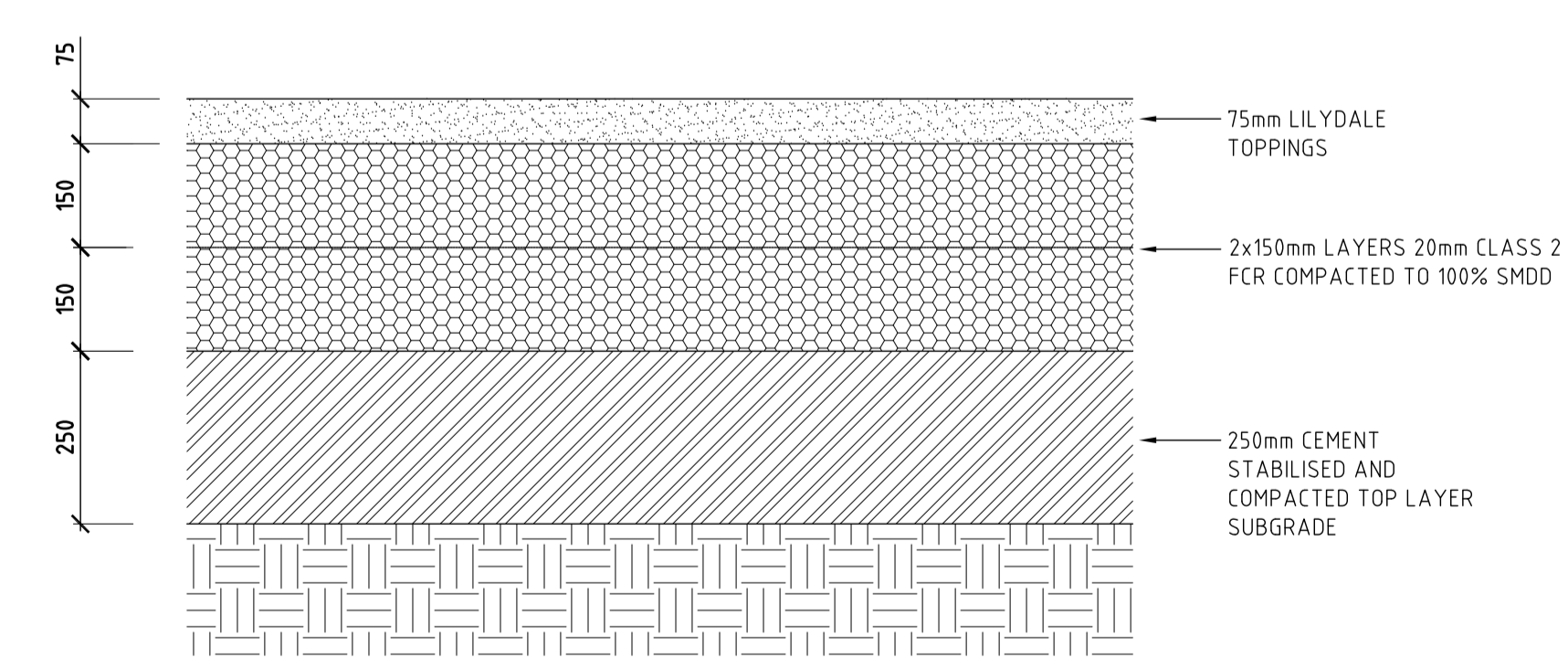
06 STONE TILE PAVING/BLUESTONE TILE PAVING - PEDESTRIAN GRADE
Scale: 1:5



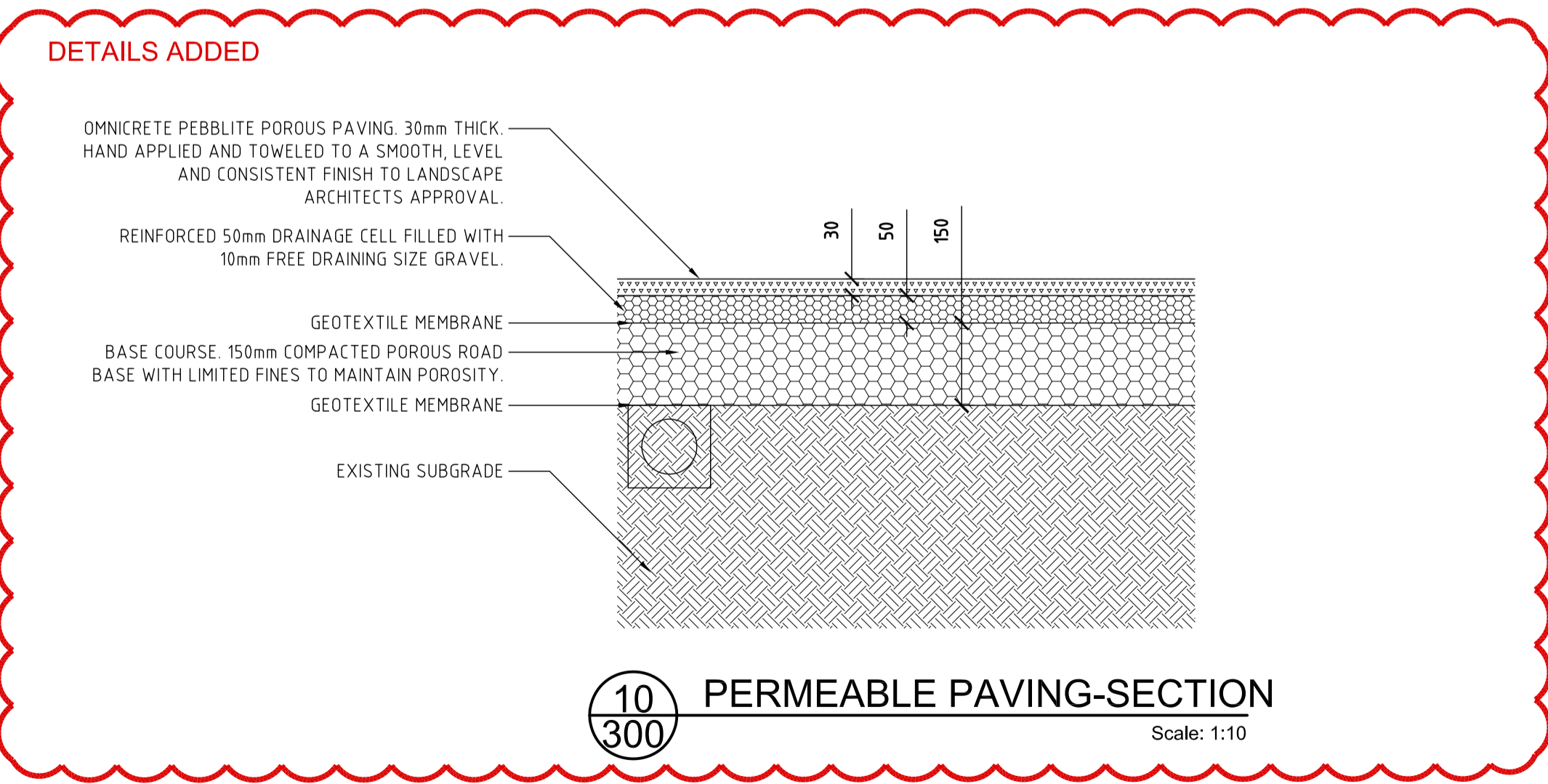
07 RUMBLE STRIP PAVING - PLAN
Scale: 1:10



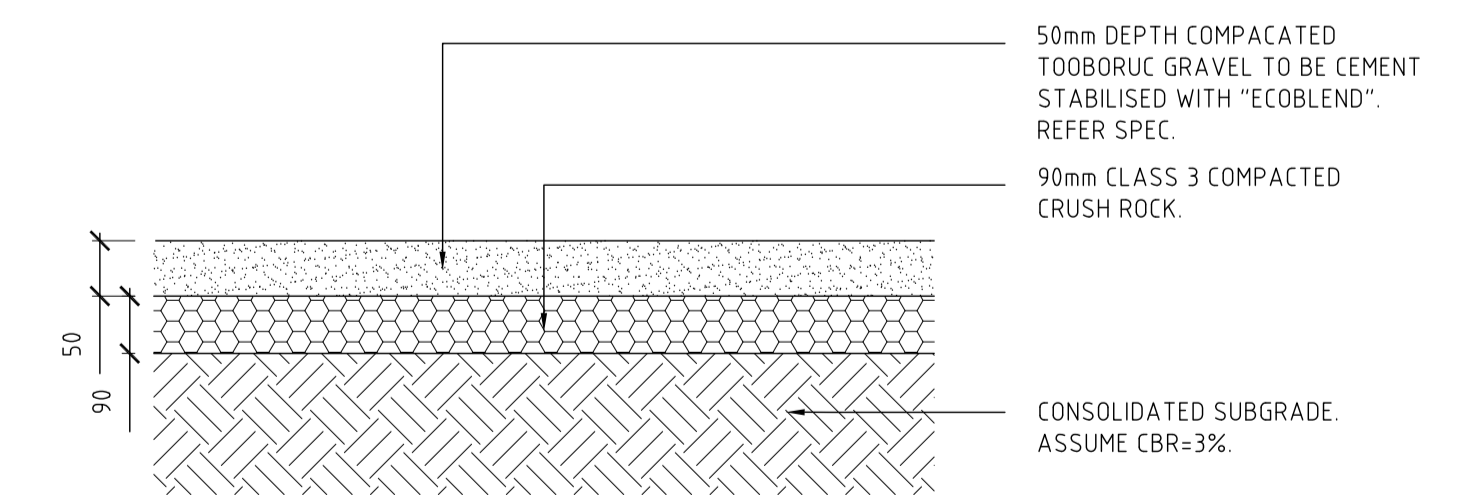
08 RUMBLE STRIP PAVING - SECTION
Scale: 1:10



09 GRANITIC GRAVEL - VEHICLE GRADE
Scale: 1:10



10 PERMEABLE PAVING-SECTION
Scale: 1:10

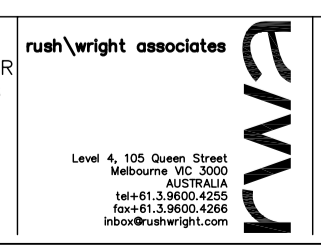


11 GRANITIC GRAVEL - PEDESTRIAN GRADE
Scale: 1:10

REV	DESCRIPTION	BY	DATE	REV	DESCRIPTION	BY	DATE
P3	PANEL SUBMISSION	CR	01/09/14				
P2	FOR INFORMATION	CR	10/10/13				
P1	FOR REVIEW	CR	07/10/13				

© COPYRIGHT
This drawing and design remains the property of RUSHWRIGHT ASSOCIATES Pty Ltd and may not be copied in any way without prior written approval from RWA. ALL DIMENSIONS ARE IN MILLIMETERS. DO NOT SCALE DRAWINGS. VERIFY ALL DIMENSIONS AND LEVELS ON SITE BEFORE COMMENCING ANY WORK OR SHOP DRAWINGS OR ORDERING ANY MATERIALS. NOTIFY SUPERINTENDENT OF ANY DISCREPANCIES IMMEDIATELY.

IMPORTANT NOTE
THIS DRAWING MUST BE READ IN CONJUNCTION WITH THE OTHER CONTRACT DOCUMENTS AND ANY INSTRUCTIONS ISSUED DURING THE COURSE OF THE CONTRACT. IT IS THE RESPONSIBILITY OF CONTRACTORS TO VERIFY THE LOCATION OF ALL UNDERGROUND SERVICES PRIOR TO COMMENCING ANY EXCAVATIONS.



CLIENT
**CANAAN HOLDINGS
PTY LTD**

PROJECT
**15 HAY ST
BOX HILL**

TITLE
HARDSCAPE DETAILS 01

CREATED	30/09/13	SCALE	A1 1:100
STATUS	DD		
DRAWN	SJ	CHECKED	CR
APPROVED	CR	JOB No.	0443
DRAWING No.	LA0300	REV	P3