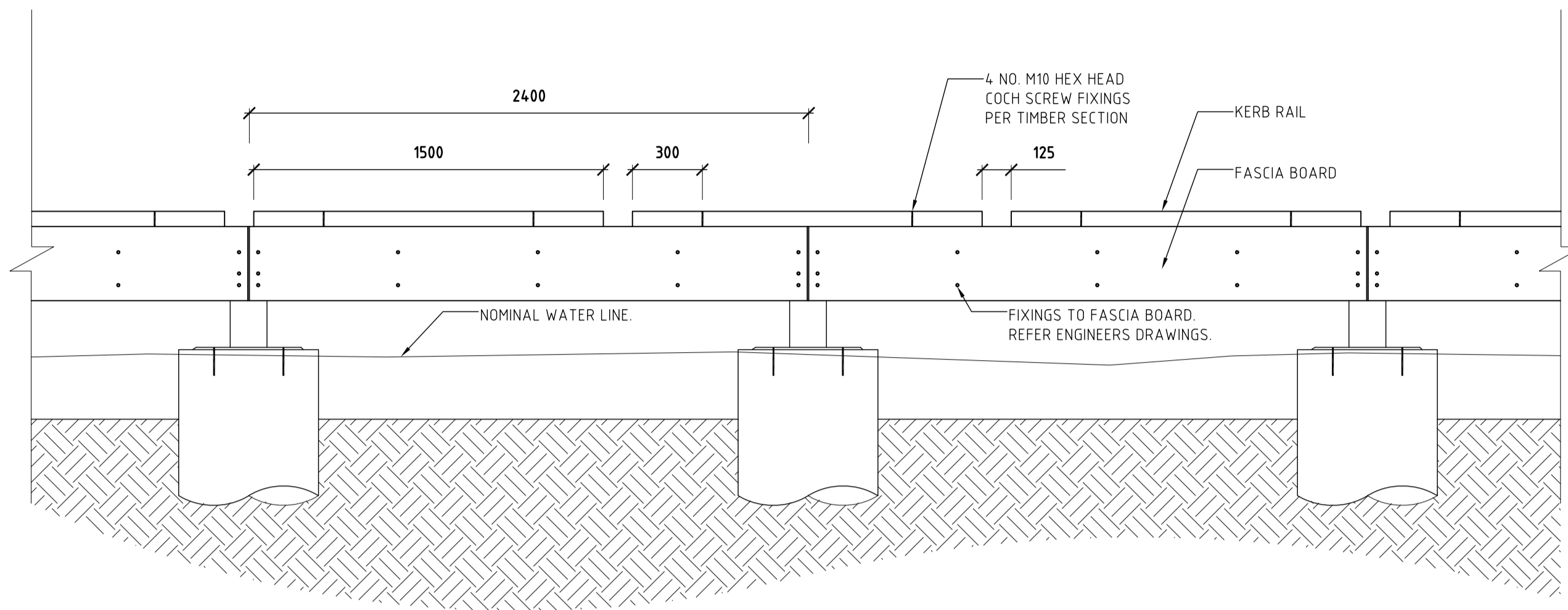
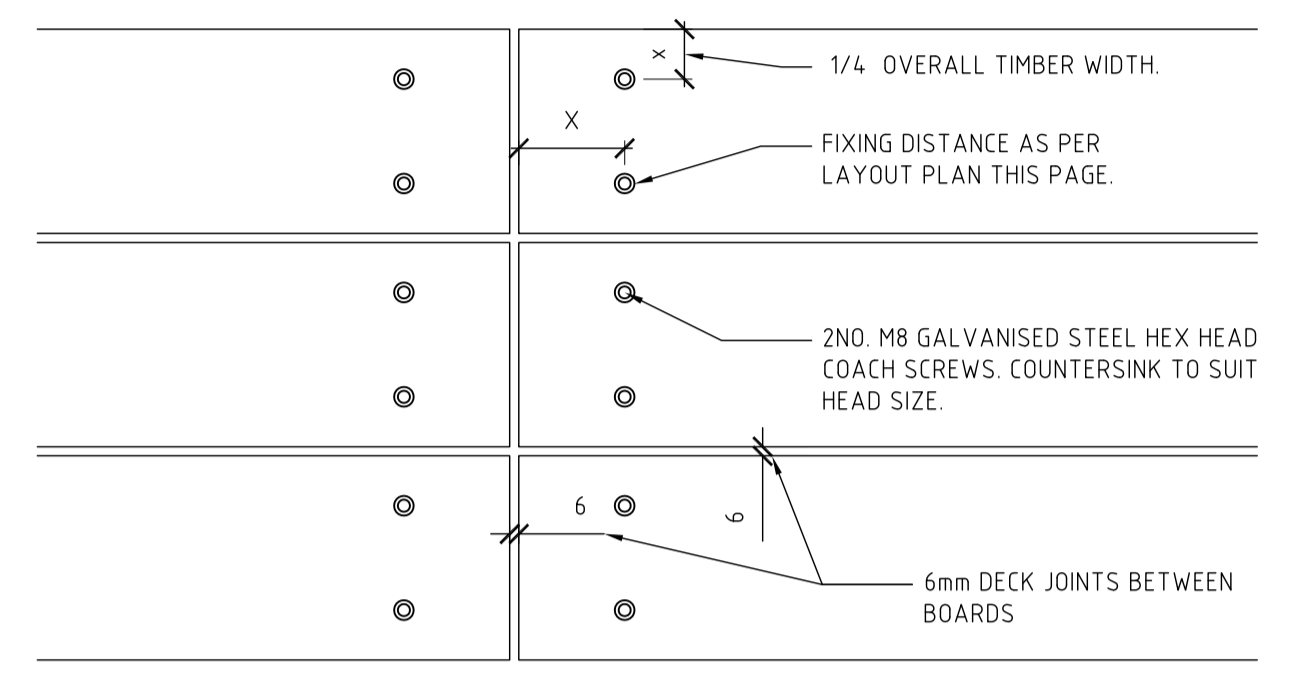


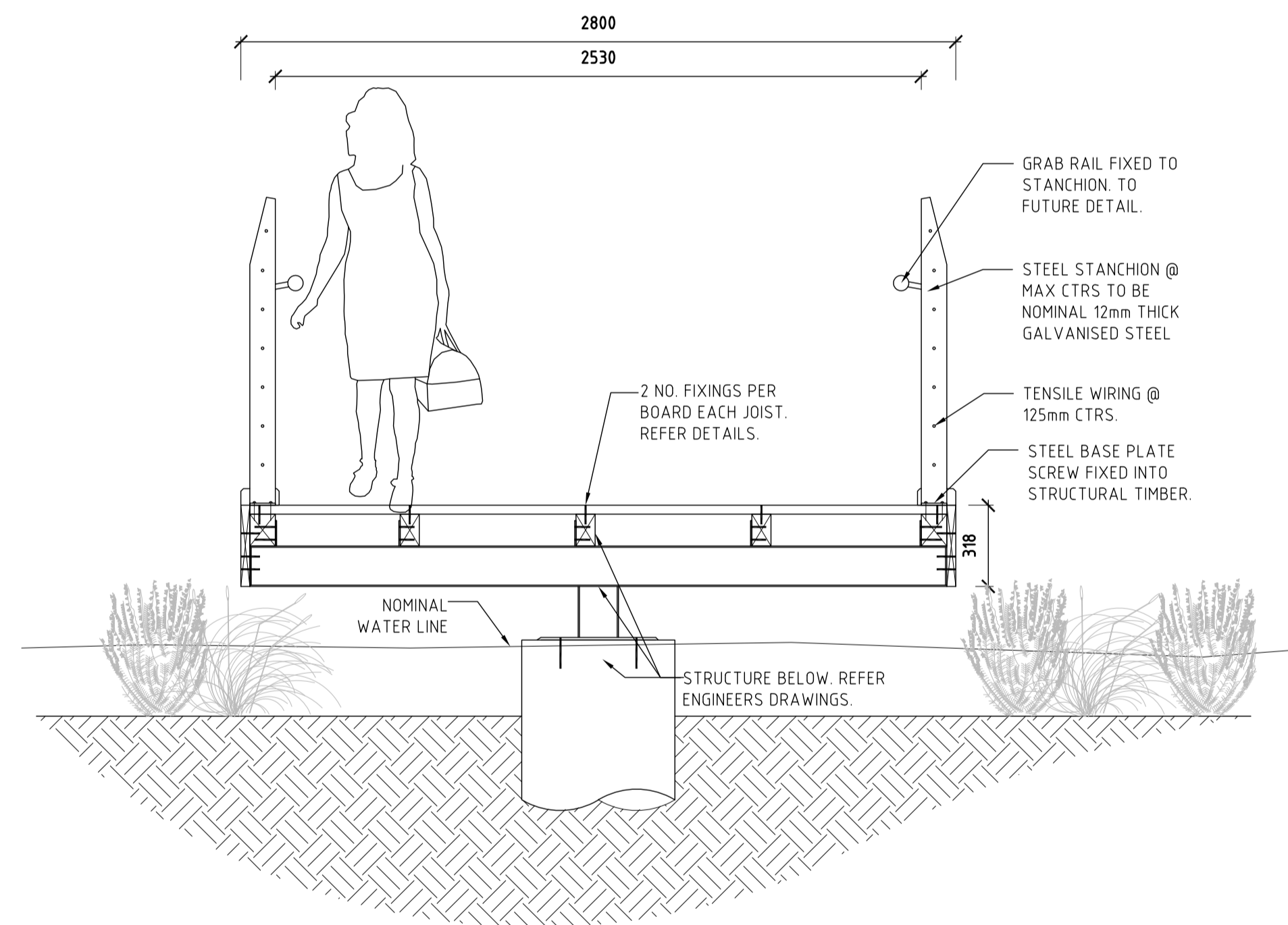
**01**  
**301** **TIMBER BOARDWALK - TYPICAL SECTION**  
Scale: 1:20



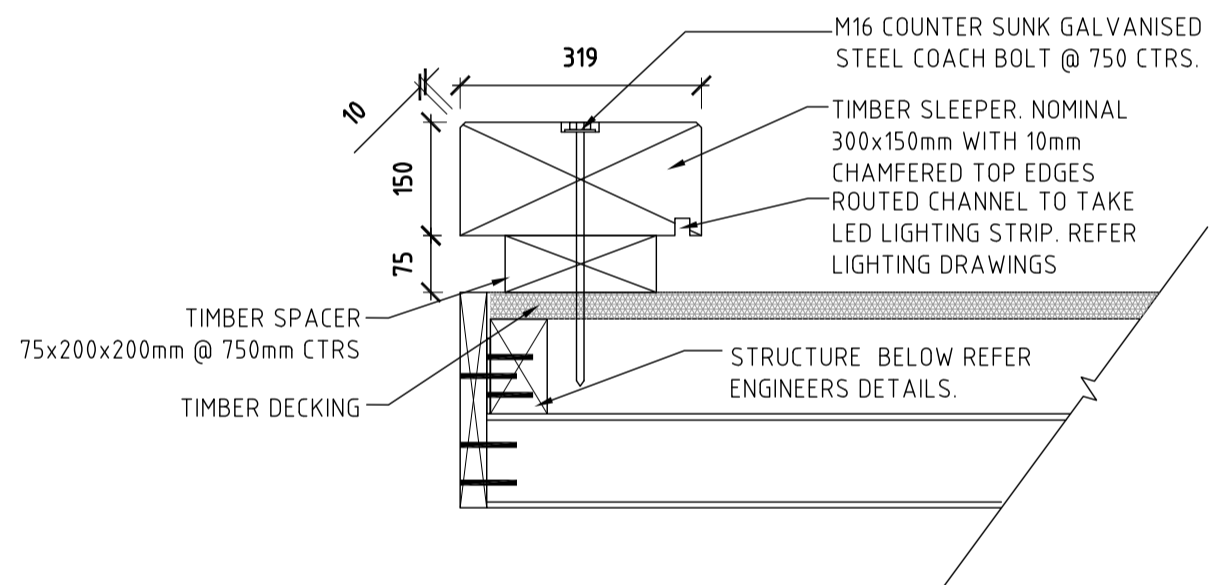
**02**  
**301** **TIMBER BOARDWALK - TYPICAL SECTION**  
Scale: 1:20



**03**  
**301** **TYPICAL DECK FIXING PLAN**  
Scale: 1:5



**04**  
**301** **TIMBER BOARDWALK WITH HANDRAIL - TYPICAL SECTION**  
Scale: 1:20



**05**  
**301** **TYPICAL EDGE DECK DETAIL**  
Scale: 1:10

REV	DESCRIPTION	BY	DATE	REV	DESCRIPTION	BY	DATE
P3	PANEL SUBMISSION	CR	01/09/14				
P2	FOR INFORMATION	CR	10/10/13				
P1	FOR REVIEW	CR	07/10/13				

© COPYRIGHT  
This drawing and design remains the property of RUSH/WRIGHT ASSOCIATES Pty Ltd and may not be copied in any way without prior written approval from RWA. ALL DIMENSIONS ARE IN MILLIMETERS. DO NOT SCALE DRAWINGS. VERIFY ALL DIMENSIONS AND LEVELS ON SITE BEFORE COMMENCING ANY WORK OR SHOP DRAWINGS OR ORDERING ANY MATERIALS. NOTIFY SUPERINTENDENT OF ANY DISCREPANCIES IMMEDIATELY.

IMPORTANT NOTE  
THIS DRAWING MUST BE READ IN CONJUNCTION WITH THE OTHER CONTRACT DOCUMENTS AND ANY INSTRUCTIONS ISSUED DURING THE COURSE OF THE CONTRACT. IT IS THE RESPONSIBILITY OF CONTRACTORS TO VERIFY THE LOCATION OF ALL UNDERGROUND SERVICES PRIOR TO COMMENCING ANY EXCAVATIONS.



CLIENT  
**CANAAN HOLDINGS  
PTY LTD**

PROJECT  
**15 HAY ST  
BOX HILL**

TITLE  
**HARDSCAPE DETAILS 02  
WETLAND BOARDWALKS**

CREATED 30/09/13	SCALE @ A1 1:100
STATUS DD	
DRAWN SJ	CHECKED CR
APPROVED CR	JOB No. 0443
DRAWING No. LA0301	REV P3